



User Manual 用户手册

EN 耐火安全储存柜
Safety Storage Cabinets

SYSBEL® **SYSBEL IS SAFETY**
安全·源自西斯贝尔

非常感谢阁下购买 **SYSBEL EN** 耐火安全储存柜产品。作为一家关注员工安全和环境保护的公司，**SYSBEL** 将以优良的品质保证您工作环境和人员的安全。

产品特点

- 1、柜体采用高强度的钢板制作，柜体表面静电粉末喷塑，易清洗、耐刮、耐冲击、经久耐用。柜体隔层内为多层防火隔热材料，以达到90分钟防火的目的；
- 2、在正常使用时，柜门可手动打开或关闭；如果发生火灾，温度达到122° F (50°C) 的情况下，内置的熔丝连接系统工作，敞开的柜门会自动关闭，以保护柜内存放物品。柜门带有阻尼器，可调节开关门力的大小；
- 3、符合EN14470-1规定的通风孔。通风孔挡板会在火灾环境下158° F (70°C) 自动关闭。通风系统可外接排气管道或者循环空气过滤器；
- 4、在火灾发生时，门缝及所有连接处备有的特殊感热材料会自动膨胀填满缝隙。以保证柜体内部处于密封状态；
- 5、标配3块可调钢制层板，每隔可调间距32mm，层板承重能力为75KG。层板翻边高30mm。可防止小型容器意外滑落；
- 6、每扇门有独立的圆柱锁可有效防止未经授权的使用，门上贴有多种语言的反光警示标签，在发生火灾或者断电的情况下，在电筒照射下非常醒目，标签规范符合ISO 3864国际标准；
- 7、可拆卸的底部盛漏槽与穿孔嵌件配合使用，可有效盛接搁板上溢流出的液体。容器放在穿孔嵌件上可避免被浸泡在底部盛漏槽内；
- 8、柜体底部设有可调的调平支脚，即使在不平整表面也能使柜体保持平衡；
- 9、设有静电接地传导端口，方便连接静电接地导线；
- 10、安全柜符合EN 14470-1，同时符合NFPA30和OSHA规定。这些法规规定了安全柜的性能和结构要求，为可燃和易燃液体提供安全地存储区域，降低火灾风险；

获得 TÜV 认证





TÜV 认证

SE890450



TÜV 实际测试通过样品

符合 EN、NFPA30 及
OSHA 标准



SE890230



SE490300



台下柜



WAB005 (选配)

EN耐火安全储存柜

防火等级 (分钟)	门类型	颜色	标准	外形尺寸 (高×宽×深/cm)	包装尺寸 (高×宽×深/cm)	标配可 调层板 (块)	层板 承重 (Kg)	底部盛 漏槽容 量(L)	出风连 接口直 径(mm)	可存储单 一最大容 器(L)	容积(加仑 /升)	型号
30	双门/自动	黄色	EN14470-1	204×116×62.5	218×123×74	3	75	37	100	33	45/170	SE830450
60	单门/自动	黄色	EN14470-1	204×60×62.5	218×67×74	3	75	18.5	100	16.5	23/87	SE860230
90	单门/自动	黄色	EN14470-1	204×60×62.5	218×67×74	3	75	18.5	100	16.5	23/87	SE890230
90	双门/自动	黄色	EN14470-1	204×90×62.5	218×97×74	3	75	30	100	27	30/114	SE490300
90	双门/自动	黄色	EN14470-1	204×116×62.5	218×123×74	3	75	37	100	33	45/170	SE890450

EN耐火安全储存台下柜

防火等级 (分钟)	门类型	颜色	标准	外形尺寸 (高×宽×深/cm)	包装尺寸 (高×宽×深/cm)	标配可 调层板 (块)	层板 承重 (Kg)	底部盛 漏槽容 量(L)	出风连 接口直 径(mm)	可存储单 一最大容 器(L)	容积(加仑 /升)	型号
90	单门/自动	黄色	EN14470-1	61.5×56×52	75.5×63×63.5	1	75	11	75	9.5	10/38	SE490100
90	单门/自动	黄色	EN14470-1	75×60×52	89×67×63.5	1	75	12.5	75	11	12/45	SE490120
90	双门/自动	黄色	EN14470-1	61.5×86×52	75.5×93×63.5	1	75	19	75	17	17/64	SE490170
90	双门/自动	黄色	EN14470-1	63×110×59	77×117×70.5	1	75	32	75	28.5	19/72	SE490190

移动轮

产品名称	载重	适配柜型	型号	描述
移动轮	600kg	SE490300、SE830450、SE890450	WAB005 (一组)	便于柜体在室内移动

* 选型提示：本系列产品的颜色有黄色、蓝色、白色等，仅柜门的颜色不同，黄色系列 SKU 如上图所示，蓝色系列请在上表 SKU 后加“-B”，白色系列请在上表 SKU 后加“-W”

ⓘ 注意事项

1. 柜门在不使用时必须保持关闭状态；
2. 当抬起或移动柜子时不要将手放置柜下；
3. 柜体必须放置水平，以保证柜门能够正常的开启和关闭；
4. 为了保障柜内空气的流动，请接入合适的通风装置；
5. 请将柜体放置在室内使用，切勿放置在室外；

© 商标和版权说明

SYSBEL®为SYSBEL注册商标,受法律保护

根据版权法,未经SYSBEL书面同意,不得复制本手册的全部或部分内容;我们已尽力确保本手册上的信息正确,如内容更新,恕不另行通知,

可随时查询我们官网 www.sysbel.com.cn

Thank you for using our products. As a company of caring employee safety and environmental protection, SYSBEL provides high quality products to ensure the safety of your working environment and personnel.



Description

1. The cabinet is made of high-strength steel plates, the surface of the cabinet is Electrostatic powder spraying which makes the surface easy to clean, scratch-resistant, shock resistant, and durable. The inner of the cabinet consists of multiple layers of fireproof material in order to prevent the fire for 90 minutes.
2. When using the safety cabinet in a normal situation, the door of the cabinet can be opened or closed manually; if there is a fire accident, when the temperature reaches 122°F (50°C), the built-in fuse will be connected to the system and close the opened cabinet door automatically in order to protect the item inside the cabinet. There is a damper in the cabinet door which can adjust the force of open and close the door.
3. The Vents comply with EN14470-1. The Vent baffle will automatically close at 158°F (70 ° C) in a fire accident. The ventilation system can be externally connected with an air exhausting pipe or a circulating air filter;
4. When there is a fire accident, the special heat sensitive material in the seals and all the connection areas can expand automatically and fill the seals to keep the inner of the cabinet in a sealed status.
5. The standard cabinet is equipped with 3 adjustable steel shelves, the adjustable distance between each shelf is 32mm, the bearing weight of shelf is 75 kg. The edge of the shelf is 30mm higher than the inner in order to prevent the small vessels from dropping by accident.
6. Each door has a separate cylinder lock to effectively prevent unauthorized use. Reflective warning labels in multiple languages are displayed on the door to stand out under the light of flashlight in the case of fire or power outage. The label complies with ISO 3864 international standard.
7. The detachable leakage-absorbed sump in the bottom is used in conjunction with perforated inserts to effectively absorb the overflow liquid on the shelf. Containers placed on perforated inserts can avoid being soaked in the bottom of the drain sump;
8. The bottom of the cabinet body is equipped with adjustable level support feet, which can keep the balance of the cabinet even on the uneven surface;
9. The cabinet is equipped with an electrostatic grounding conducting port for easy connection of anti-static device
10. The safety cabinet complies with EN 14470-1 and regulation of NFPA30 and OSHA as well. These regulations ensure the properties and structure requirements of the cabinet, providing safe storage space for flammable liquids to reduce the fire risks.

TÜV Certification



SE860230



TÜV Certification



SE830450



TÜV Certification



SE890450



TÜV Certification

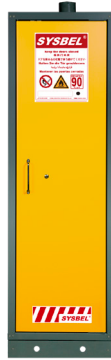


TÜV The actual test passed the sample

Comply with EN, NFPA30 and OSHA standards



Under Counter Cabinet



SE890230



SE490300



WAB005

Safety Storage Cabinets												
Fire rating (minutes)	Door type	Color	Standard	Ext dimension (H×W×D/cm)	Packing dimension (H×W×D/cm)	Adjustable Shelves (Pcs)	Shelf Loading Weight (Kgs.)	Capacity of bottom tank (L)	Diameter of air outlet connection (mm)	Can store a single largest container (L)	Volume (gallons /liter)	Model
30	Double Door	Yellow	EN14470-1	204×116×62.5	218×123×74	3	75	37	100	33	45/170	SE830450
60	Single Door			204×60×62.5	218×67×74		75	18.5		16.5	23/87	SE860230
90	Single Door			204×60×62.5	218×67×74		75	18.5		16.5	23/87	SE890230
90	Double Door			204×90×62.5	218×97×74		75	30		27	30/114	SE490300
90	Double Door			204×116×62.5	218×123×74		75	37		33	45/170	SE890450

Safety Under Counter Cabinet													
Fire rating (minutes)	Door type	Color	Standard	Ext dimension (H×W×D/cm)	Packing dimension (H×W×D/cm)	Adjustable Shelves (Pcs)	Shelf Loading Weight (Kgs.)	Capacity of bottom tank (L)	Diameter of air outlet connection (mm)	Can store a single largest container (L)	Volume (gallons /liter)	Model	
90	Single Door	Yellow	EN14470-1	61.5×56×52	75.5×63×63.5	1	75	11	75	9.5	10/38	SE490100	
90	Single Door			75×60×52	89×67×63.5		75	12.5		75	11	12/45	SE490120
90	Double Door			61.5×86×52	75.5×93×63.5		75	19		75	17	17/64	SE490170
90	Double Door			63×110×59	77×117×70.5		75	32		75	28.5	19/72	SE490190

Moving wheel					
Product Name	Loading Weight(Kgs.)	Adaptation cabinet type		Model	Details
Moving wheel	600kg	SE490300. SE830450. SE890450		WAB005 (One group)	Convenient for the cabinet to move indoors

*Selection tips: The colors of this series of products are yellow, blue, white, etc., only the color of the cabinet door is different, the yellow series SKU is as shown in the picture above, the blue series please add "-B" after the SKU in the above table, and the white series For series, please add "-W" after the SKU in the above table

i 使用说明 (Instructions for use)

1. 按照图 1 确认产品外形尺寸 (mm) 和功能点位, 选用合适的工具来搬运到适合放置的区域; 1.
Ensure the product overall dimension(mm) and functional spots according to picture 1, choose the proper tool to help remove the cabinet to the proper area.

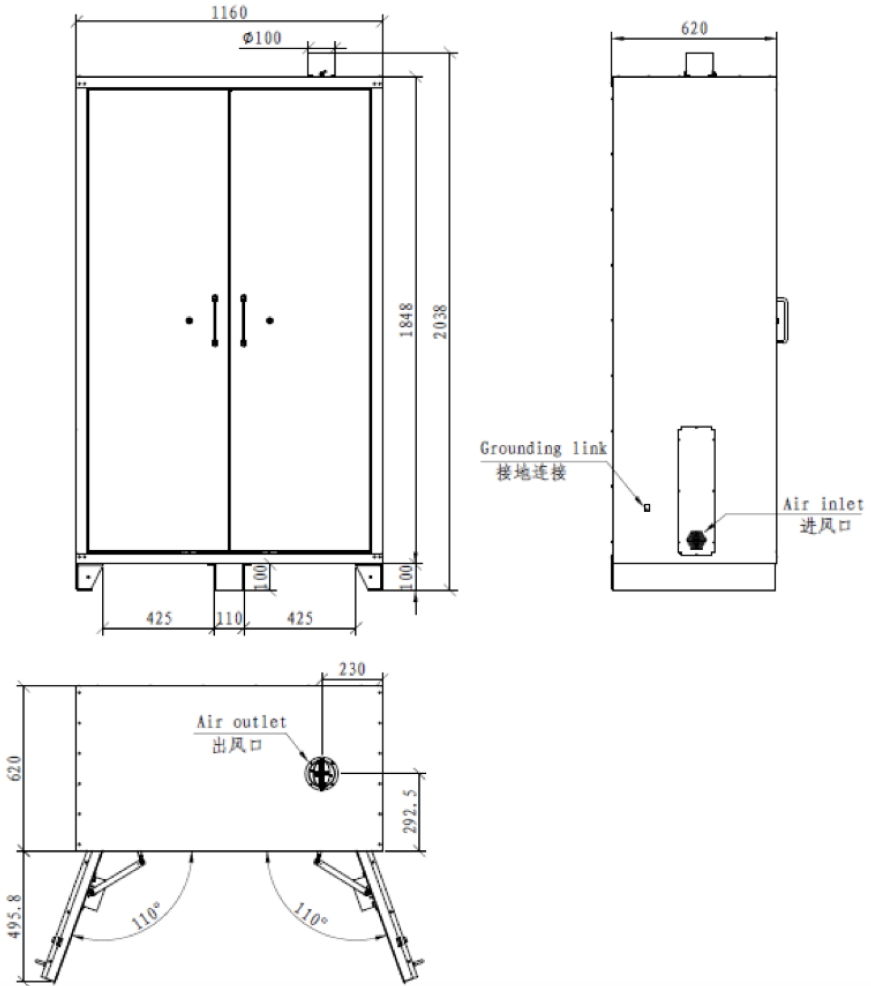


图 1 (picture 1)

2. 柜体放置后续确认水平，柜体倾斜会导致柜门无法正常打开和关闭。如柜子不水平，可使用图 2 中的编号 1 和编号 2 来调整柜体，使用方法是，使用专业搬运工具把柜体抬高离地面 50mm，把编号 1（4pcs）垂直方向拧在编号 5 上，把编号 2 放置在编号 5 正对应的下面地面上，通过调节编号 1（4pcs）来实现柜体的水平。柜子安放水平之后，把编号 4 通过编号 3 安装在主柜体上。

Ensure the level of the cabinet after placing the cabinet, or the incline of the cabinet will lead the door of the cabinet to open and close difficultly. If the cabinet is not level, you can use the No.1 and No.2 of picture 2 to adjust the cabinet. The adjust method is using a professional lifting tool to lift the cabinet 50mm above the ground, and fix the No.1(4pcs) onto the No.5 in a vertical direction, lay the No.2 under the opposite ground of No.5, and adjust No.1 to reach the level of the cabinet. After the cabinet is placed in the level, install the No.4 on the cabinet body through No.3.

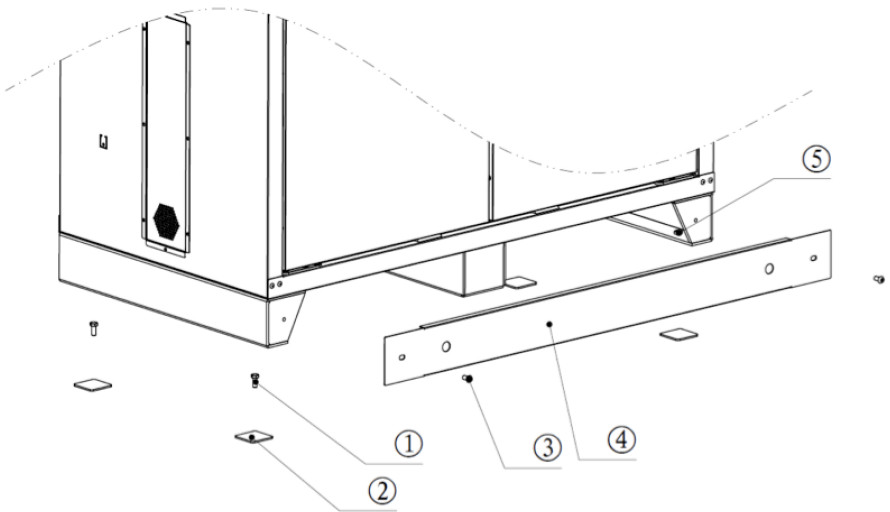


图 2 (picture 2)

3. 柜门锁具的开启和关闭：图 3 中标识出了锁具和拉手，需要开门时，插入钥匙，顺时针旋转两圈，同时用手拉动拉手。需要关门，钥匙逆时针旋转，拔出钥匙；

The opening and closing of the lock on the cabinet door: the lock and handle are marked in picture 3. When opening the door, you need to insert the key and rotate clockwise two circles, pull the handle by hand at the same time. When closing the door, you need to turn the key anticlockwise and pull out the key.

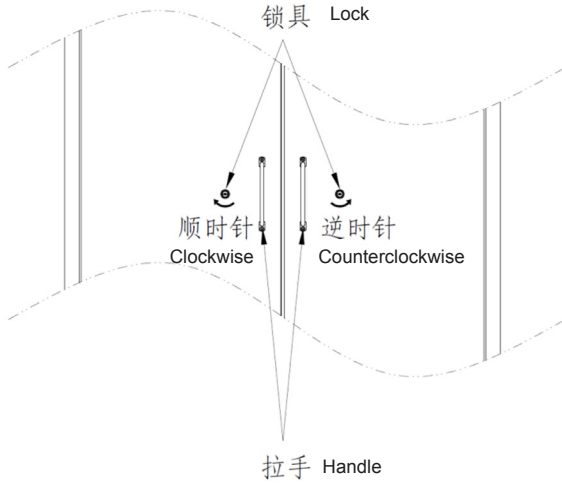


图3 (picture 3)

4. 层板的调节：防火安全柜标配了3块可调钢制层板，每隔间距32mm。用户可根据实际需求进行层板上下高度的调节，调节方法：如图4，先清除编号3上所有物品，将编号3移出至柜外，使用十字螺丝刀拆除编号2左右两个面的编号1（8颗自攻螺丝），调节到需求的高度之后，使用十字螺丝刀把编号2通过编号1（8颗螺丝）固定在左右侧板上，左右两边都需要拧紧，再将编号3放置在编号2上；

The adjustment of shelf: The standard cabinet is equipped with 3 adjustable steel shelves, the adjustable distance between each shelf is 32mm. Users can adjust the height of each shelf according to the actual need, the adjustment method: as the picture 4 shows, you should remove all the items on No.3 firstly, and then move the No.3 out of the cabinet, use the screwdriver to dismantle two No.1 (8 tapping screw) on the left and right of the No.2, after adjusting the layer to the ideal height, you can use a cross point screwdriver to fix No.2 through No.1 (8 screws) on the left and right side boards, the screws on the left and right side need to be tightened, then place the No.3 on No.2.

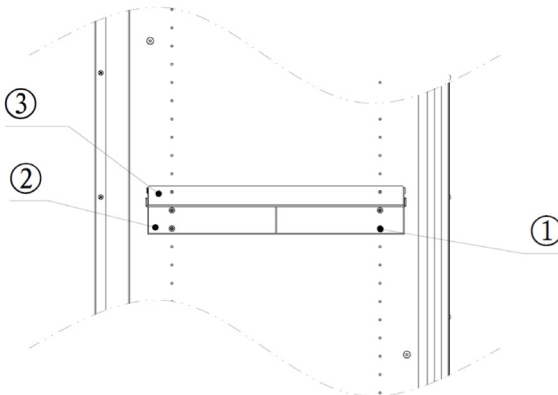


图4 (picture 4)

5. 泄漏液体的清除：可调层板上如有少量的泄漏液体，请先清除掉层板上所有的存放物品，使用对应的吸附棉进行可调层板的清洁。如柜体底部渗漏槽有泄漏的液体，请按照图 5 进行清洁，首先清空编号 1 上存放的物品，将编号 1 移出柜外，再使用对应的吸附棉对编号 2 进行清洁。清洁完成之后按照步骤放进编号 1。

The clean of the leakage liquid in the leakage-absorbed sump: If there is a small amount of leaked liquid on the adjustable shelf, please remove all the stored items on shelf, using the corresponding adsorbents for adjustable shelf clean. If there are any leaked liquids in the bottom leakage-absorbed sump, please try to clean out according to the picture 5, empty items stored on the No.1 firstly, remove the No.1 out of the cabinet, and then use the corresponding adsorbents to clean No.2. After completing the cleaning, follow the steps to put in No.1.

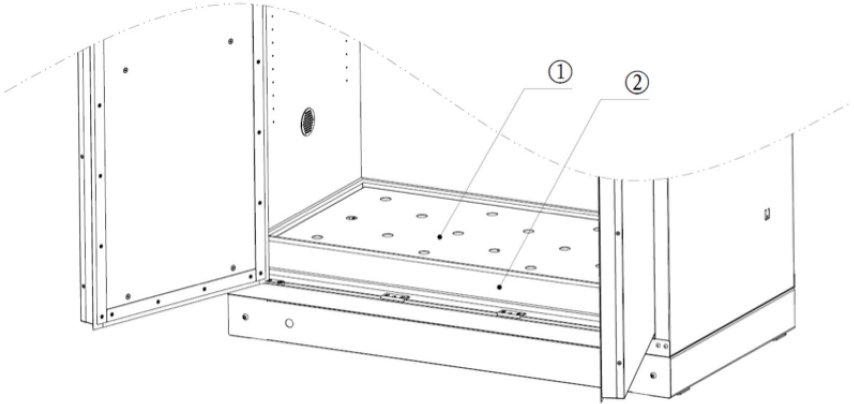


图 5 (picture 5)

i Attention

1. The cabinet door must be kept closed when not in use
2. Do not put your hands under the cabinet when lifting or moving the cabinet
3. The cabinet body must be placed horizontally to ensure that the cabinet door can be opened and closed normally
4. In order to ensure the air flow in the cabinet, please connect to a suitable ventilation device
5. Please place the cabinet for indoor use, not outdoors

C Trademark & Copyright

SYSBEL[®] is a registered trademark of SYSBEL, which is protected by law.

According to copyright law, it is forbidden to copy the whole or particle content of this manual without the written consent of SYSBEL. We have tried our best to ensure that the information in this manual is correct, and if the information is updated, we will not inform you.

You can check our official website at www.sysbel.com.cn any time.

☎ 86-4008-94-8808
🏠 www.sysbel.com



printed in shanghai 2022
Code No. SYS220719

SYSBEL®为SYSBEL 注册商标，受法律保护
SYSBEL® is the registered trademark of SYSBEL